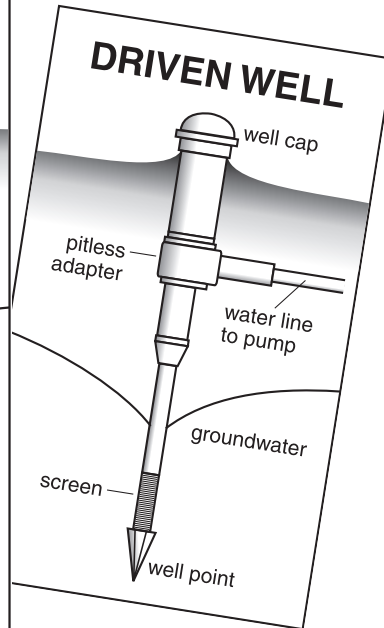
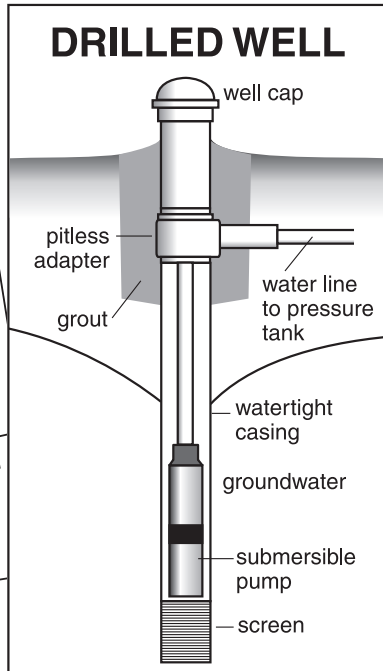
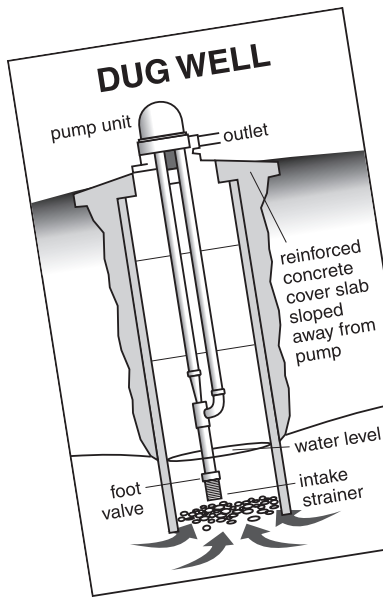


Information and Guidelines for Your Water Well

Water Well Records

Property owner and location _____

It is your responsibility to determine the quality of your private water system. For you and your family's health, keep records on your well water quality and any maintenance performed on your well, and consult a professional with any concerns.



Folder Contents

- Construction report
- Well Permit
- Well log
- Water quality test results

Property Service Address

Drilling Contractor Contact Information

Date Well Drilled _____

System Description

Max gallons per minute (gpm) _____

Well depth _____

Pump depth _____

Pump type _____

Pump installation date _____

Water Quality Treatment System

Yes No

If "yes," what type?

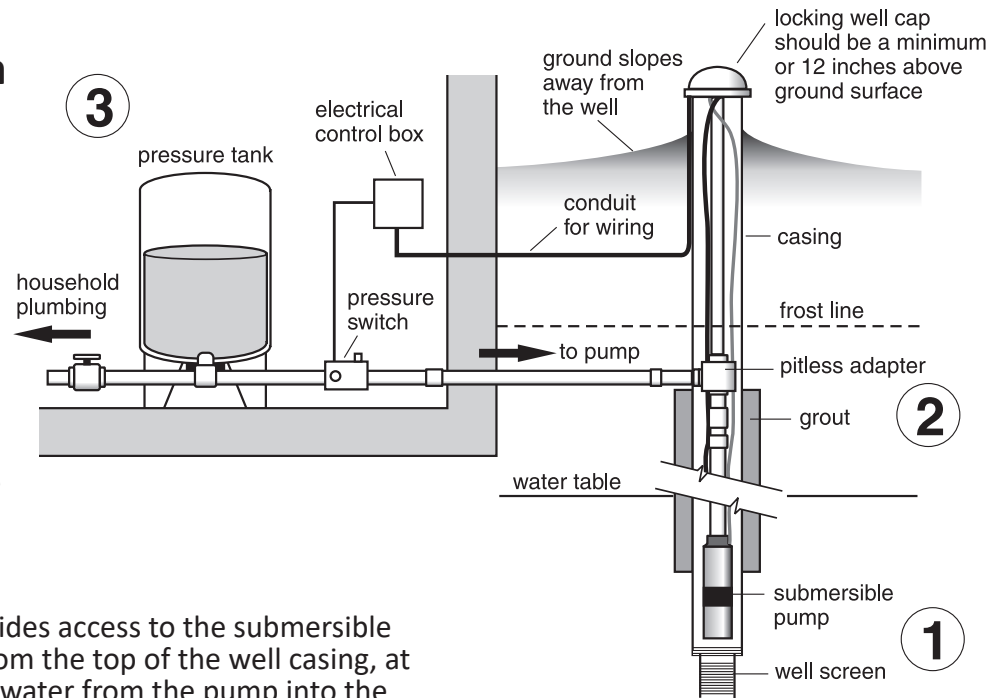
- water softener chlorination
- distillation reverse osmosis
- ozonation oxidizing filters
- activated carbon filters
- mechanical filtration
- ultraviolet radiation

Date installed _____

Your Well System

How the pump works

1. Instead of lifting the water to the ground surface, most wells have submersible pumps that actually push the water up.
2. The pitless adapter provides access to the submersible pump and well piping from the top of the well casing, at the same time directing water from the pump into the house plumbing system. A submersible pump is highly reliable, sometimes running for 20 years without servicing.
3. Your pump is not supposed to run constantly. The pressure tank and the air bladder inside the tank ensure that your pump is not always running. Water is pumped into the tank until the air bladder is compressed to a selected pressure, at which time the pumping stops. This selected pressure ranges from 40 to 60 pounds per square inch (psi). Water then exits the pressure tank as it is used in the home, dropping the bladder pressure. The pump will restart when the air bladder pressure has dropped about 20 psi.



Typical System Terminology

Aquifer – a water-bearing layer of sediment or rock

Bentonite – a highly plastic clay consisting of the minerals montmorillonite and beidelite (smectites), which swell extensively when wet

Borehole – the cylindrical hole drilled into the aquifer

Casing – steel or PVC pipe placed in the borehole to keep the borehole open and allow a void to store water and install a pump; this includes surface casing, which is typically steel casing at least 25 feet deep and at least 1 foot above ground that prevents surface contaminants from entering the well

Drop Pipe – pipe placed in the casing to connect the pump to the surface

Electrical Control Box – a switch box that turns the well pump on and off

Grout – a layer of material placed between the wall of the borehole and the casing to prevent surface contamination from reaching the aquifer; often cement or bentonite clay

Pitless Adapter – a device placed in the well casing that allows water to be diverted from the drop pipe to piping on the exterior of the well below the frost line

Power Cord/Pump Wire – wiring from the pump control box to the pump that supplies power for the pump and sends command signals

Pressure Tank – a water holding tank equipped with an air bladder that regulates water pressure into the home and demand to the pump; this air bladder is in place so the pump will not run constantly

Submersible Pump – the most common type of water well pump; includes the pump and pump motor placed at the bottom of the drop pipe, below the pumping water level

Water Table – the natural level of the upper limit of a saturated portion of ground

Well Cap – a sealed cap on the top of the well casing that prevents surface contaminants from entering the inside of the well

Maintenance

Your family's health depends on the quality of water your well supplies. Regular well maintenance and water testing will enable you to track the quality of your water. Keeping your records provides good information in the case of adverse effects on your water from outside activity.

Don't put your water quality in danger

- Keep pesticides and other chemicals at an adequate distance from your well.
- Locate your well at an acceptable distance from any waste treatment system (including animal), and always up gradient (flow) from contamination sources.

Complete regular water quality checks

- Keep track of and be aware of changes in your water and around your well.
- Complete an annual water chemistry and bacteria check.
- Complete a total water quality analysis every three years.

Protect your wellhead

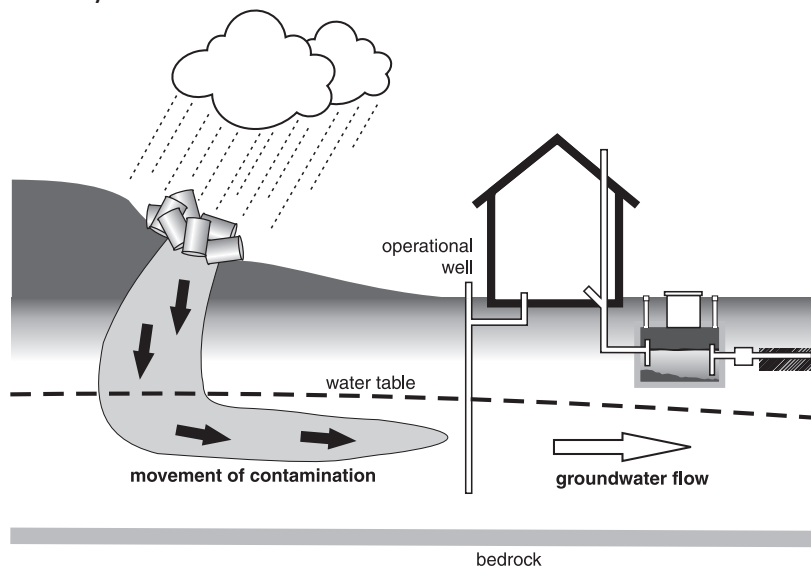
- Keep the outer casing at least 1 foot above ground, and ensure that the ground slopes away from the wellhead.
- Check the integrity of your well cap and seal.

Chlorinate your well after all maintenance

- This is to ensure your well does not become contaminated by outside contact.

At the end of your well's lifetime, plug your well properly

- Always go to a professional for well installation and abandoned well sealing.



Trouble Shooting Q&A

Why doesn't water come from my well anymore?

First, check your breaker box to see if the breaker is tripped. Also check the pump reset button on the control box near the breaker. If these do not solve the problem, call a licensed pump installer to check the pump and pump control equipment, which may have failed. The pump installer also can check the water level in the well.

Why does my well seem to pump less water than it used to?

Through time, minerals or bacteria can constrict your water well screen, water system pump or piping. Overuse or seasonal lack of recharge of the aquifer also can cause the groundwater level to drop, decreasing the amount of water that can enter the well. A licensed well driller or pump installer can clean your well screen and check your pump, piping and water level.

Why does my water smell or taste like chemicals?

Your well may be polluted with chemicals. Stop drinking the water immediately. Have a laboratory test the water for likely chemical pollutants.

Why does my water leave stains on fixtures and clothes?

Your water likely has a high level of dissolved minerals. Have a laboratory test the water to determine its chemical composition.

Why does my pump seem to run every time I turn on the tap?

A pressure tank regulates the pressure in your water system, so the pump does not have to be run every time a demand for water occurs. The tank has an air bladder in it that can rupture. Have a licensed pump installer check the pressure tank and check valve.

Why does my water have a lot of sediment in it?

When your well was drilled, it may have been developed improperly and excess drilling fluids and sediment were not removed. Or your well casing or well seals may have failed. Have a licensed well driller inspect the well and determine the source of the sediment.

Why does my water smell like sulfur or have a sewerlike smell?

Your well probably has bacteria in it. Have the water tested for bacteria immediately. The local health department can help disinfect the well and find the source of the bacteria. Do not drink the water until checked.

Why does my water fizz?

Your well water has gas dissolved in it. This gas may be air or carbon dioxide (harmless) or it may be methane. Have a laboratory test the water to determine what the gas is and if a treatment system is necessary.

Important Contact Information

Maintenance

Well servicing contractor _____

Plumber _____

Health

Local/County Health Dept. _____
State Health Dept. _____
Water testing laboratory _____

General Questions

State water agency _____
Local Extension office _____

Maintenance Record

Date	Work Performed and Comments	Contractor	Cost

For more information, please visit:

waterquality.colostate.edu

This publication is provided by the Water Quality Program at Colorado State University. This document was developed in partnership with the following Land Grant Universities: Colorado State, Montana State, North Dakota State, South Dakota State, Utah State, and University of



COLORADO STATE UNIVERSITY
EXTENSION